



High performance that can fit in your hand

Palm-sized pump measuring 56mm, with the same high reliability and high performance of HPX100 series.

New design that eliminates the need for tools

Completely tool-free installation, removal and tube replacement are possible.

Variety of colors

Enables color selection depending on design on design and/or type of liquid

High performance geared motor

Using our original gears and varistor equipped DC motor, this geared motor has built up a strong record of achievement through its use in HPX100.



Business possibilities

That are beyond simple ideas

HPX100

High Performance Peristaltic Pumps

Ultra-compact size that simultaneously achieves high performance and space saving.

A simple configuration is achieved by incorporating multiple functions into each part.

Simple configuration

Haiper peristaltic pumps use parts manufactured entirely using high-quality China technology. The pumps meet a wide range of needs to a maximum of 268ml/min by using various combinations of parts.



Clear



Yellow



Blue

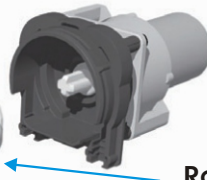
Caps

The highly-transparent clearbody enables the pump motor status to be checked at a glance. Special nylon materials with excellent weather and chemical-resistant abilities are used.



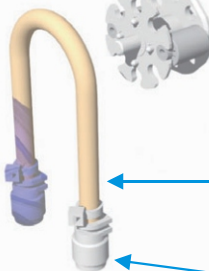
Gear Motor

The gears are designed and developed in-house. The uniquely-configured resin planetary gear, with its excellent durability, is highly regarded. The motors used are manufactured by highly qualified China companies.



Rotor Assembly

The multi-configuration rotor can accommodate various needs. Easy choice-two or four rollers.



Pump Tubes

A wide range of tubes is available, from original tubes developed in-house to general-purpose tubes. Choose the materials and according to application.



Fitting

Tube replacement can be done easily. Choose from various types of fittings according to application.

Space-saving ultra-compact design

Handy size

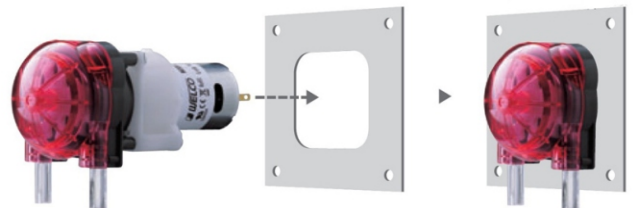
Performance and durability is equivalent to the HPX100, while achieving an ultra-compact 56mm size that fits in the palm of your hand. And the space in the device can be used effectively.



Enables one-touch mounting without using tools

Easy setting configuration

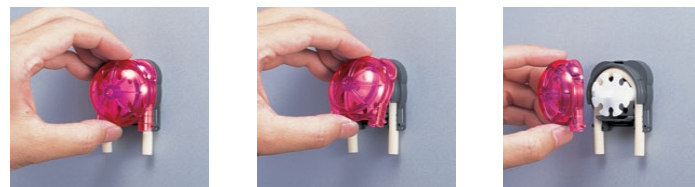
Performing the specified shape processing on the mounting parts enables an all-in-one easy setting mechanism, which can be mounted merely by inserting the main unit to the base. The unit can be fixed without using other parts or tools. Removal can also be performed easily merely by operating the front panel.



Maintenance can be performed without using tools

Handy Mounting configuration

As the cap can be mounted and removed manually without using tools, maintenance such as tube replacement can be performed speedily.



Various motors can be mounted according to need

Motor variation

The lineup also includes various types of motor for mounting, such as 6, 12 and 24VDC low-speed and high-speed motors, AC motors, stepper motors, and brushless motors, etc.



DC motor

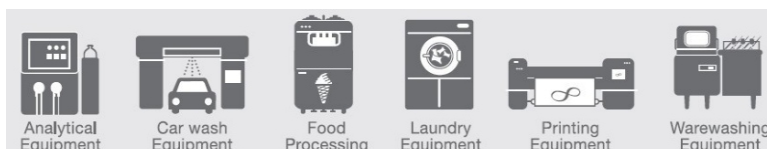


Stepper motor



Brushless motor

Applications





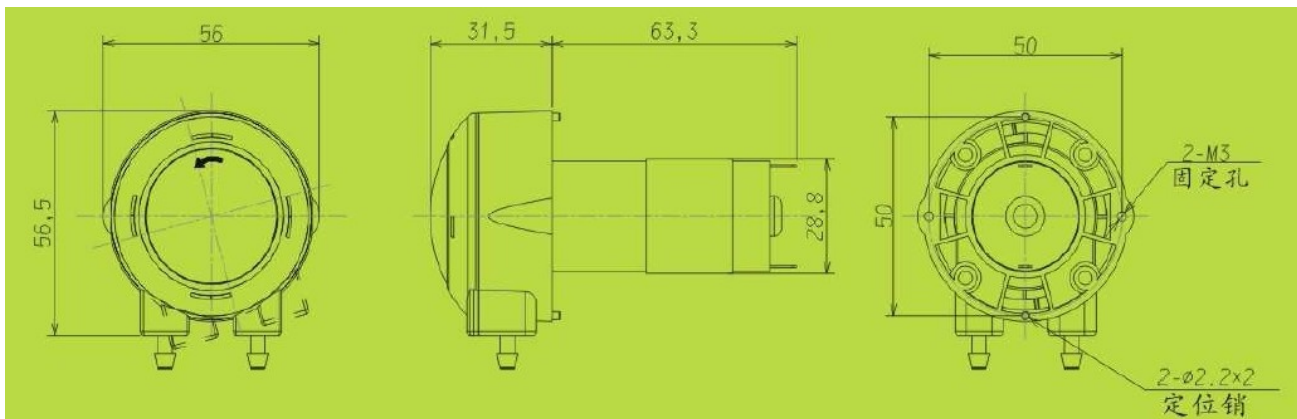
DC brush motor

DC6V 12V 24V

Brush motor specification(water)

| Tube type | 1x1 | 2x1 | 3x1 | 4x1 | 14# | 16# | 25# |
|---------------------------|--------|---------|--------|----------|---------|---------|----------|
| Inner x wall thickness mm | 1x1 | 2x1 | 3x1 | 4x1 | 1.6x1.6 | 3.1x1.6 | 4.8x1.6 |
| Flow L/min | 5.2~53 | 9~102.6 | 14~154 | 22.3~212 | 8.2~89 | 16~173 | 25.3~268 |

Dimensions (mm)



Haiper

Haiper Enterprise Co., Ltd

Add: No. 1 Ln10, GuiPing RD ShangHai, 201615 China

Tel : +86-21-57657152

Fax: +86-21-57657196

haiper@haiper.com

Http://www.haiper.com

