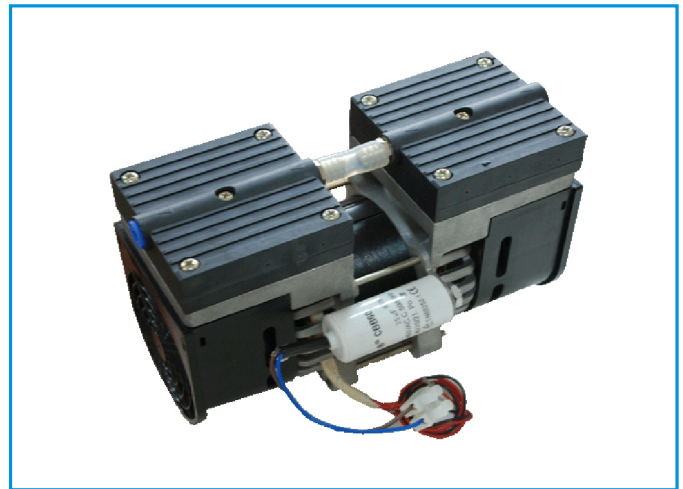
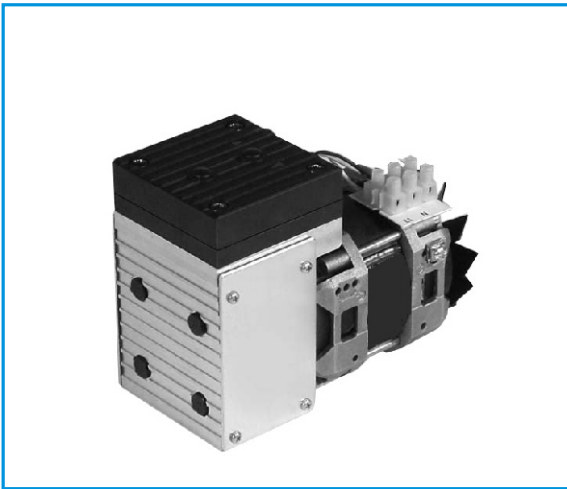


## Diaphragm Pumps

---



### Product Features

- Oil-less**
- Maintenance free**
- Smooth running**
- Low noise level**
- High lifetime**
- Sealed tight**
- Large choice in material**
- Pressure or vacuum**

### Typical Applications

- Medical devices**
- Analysis**
- Air collector**
- Aspirators**
- Rotation Evaporator**
- Autoclaves**

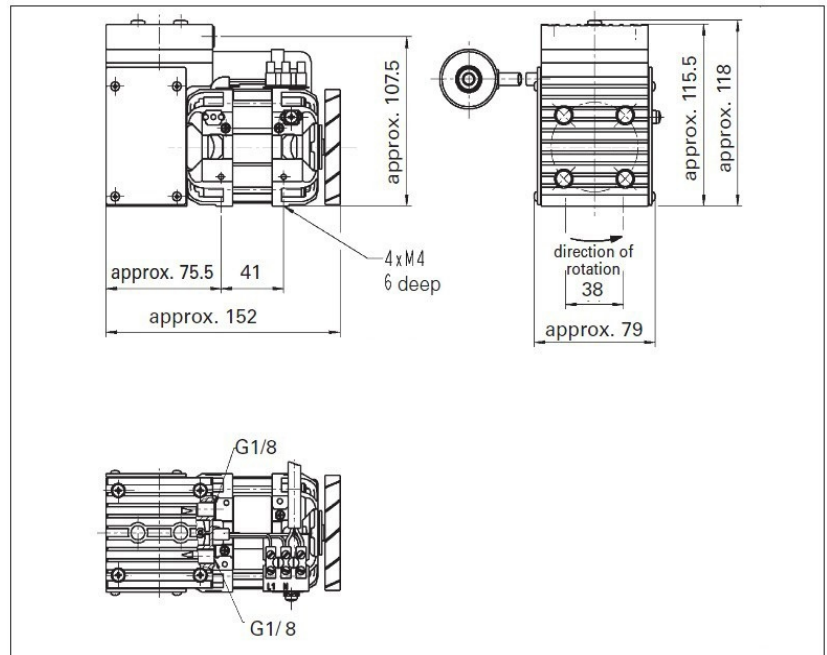
# Diaphragm Pumps GAL828

Haiper

Flow 28 l/min

Max. pressure 1 bar

Max. vacuum 200 mbar abs.



## Pneumatic Data

Model	GAL-828
Max. Flow	28 l/min
Max. Pressure	0.12Mpa
Max. Vacuum	200 mbar abs.

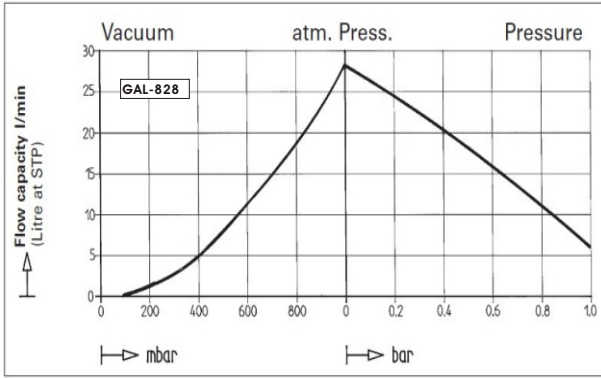
## Electrical Data

Motor type	Capacitor
Nominal voltage	230V AC/50Hz
Nominal speed	1270 rpm
Current consumption	0,6 A
Starting current	1.4 A
Power consumption	100 W
Protection class	Ip00
Thermal switch	120°C

## General Data

Ambient temperature	0 to 50°C
Weight	2.2 kg

## Flow curves



## Choice of materials Standard Option

Pump Head  
Diaphragm  
Valves  
O-Ring

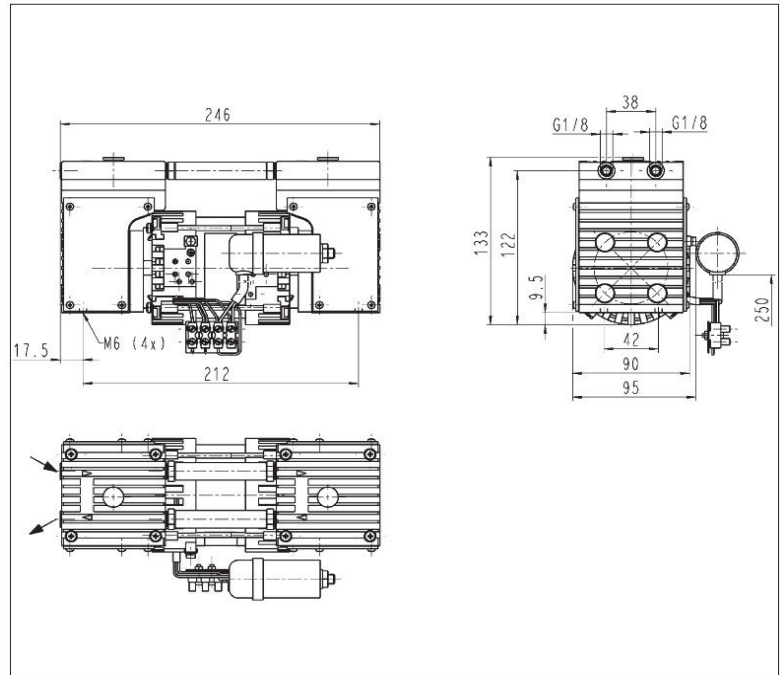
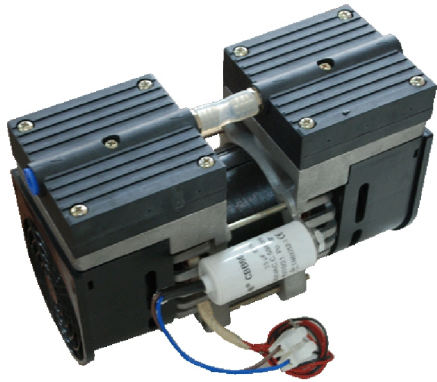
PPS  
EPDM  
Viton  
EPDM

# Diaphragm Pumps GALS828S

Flow 50 l/min

Max. pressure 1 bar

Max. vacuum 100 mbar abs.



## Pneumatic Data

Model	GALS-828S	GALP-828S
	Serial Connection	Parallel Connection
Max. flow	30 l/min	50 l/min
Max. Pressure	0.26Mpa	0.12Mpa
Max. vacuum	50 mbar abs.	-100 mbar abs.

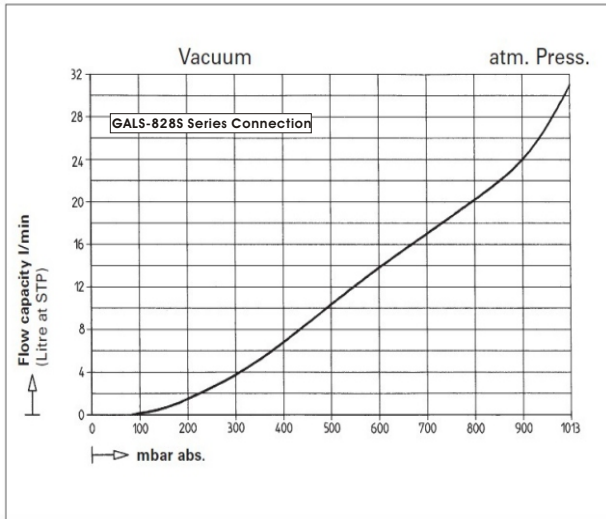
## Electrical Data

Motor type	Capacitor
Nominal voltage	230V AC/50Hz
Nominal speed	1270 rpm
Current consumption	0,6 A
Starting current	1.4 A
Power consumption	100 W
Protection class	Ip00
Thermal switch	120°C

## General Data

Ambient temperature	0 to 50°C
Weight	3.4 kg

## Flow curves



## Choice of materials Standard Option

Pump Head	PPS
Diaphragm	EPDM
Valves	Viton
O-Ring	EPDM

The information presented in this material is based on technical data and test results of nominal units. It is believed to be accurate and reliable and is offered as an aid to help in the selection of Haiper products. It is the responsibility of the user to determine the suitability of the product for the intended use and the user assumes all risk and liability whatsoever in connection therewith. Haiper does not warrant, guarantee or assume any obligation or liability in connection with this information.

**Haiper**

**Haiper Enterprise Co., Ltd**

Add: No. 1 LN 10, JIUXIN RD SHANGHAI 201615, CHINA  
Phone: +86-21-57657152 Fax: +86-21-57657196  
E-mail: [Haiper@haiper.com](mailto:Haiper@haiper.com) [Http://www.haiper.com](http://www.haiper.com)